



# MiniPID 2 PPB XF

OEM Gas Sensor with State of the Art Sensing Technology



The MiniPID 2 XF is engineered for prolonged, uninterrupted monitoring. Incorporating Ion Science's patented long-life filter, to ensure unparalleled stability and durability for dynamic and reliable response to a vast array of volatile organic compounds (VOCs) in a wide range of applications.

### Key Features

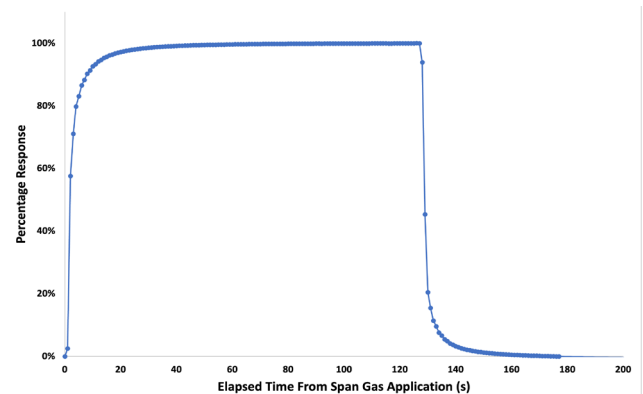
- >10,000 Hour Filter Lifetime
- 10,000 Hours Lamp Life
- Anti-contamination Design
- Humidity Resistant
- Low Cost of Ownership
- Serviceable Electrode Stack and Lamp
- Intrinsically Safe
- Series 4/A Package

### Typical Applications

- Outdoor Air Quality
- Indoor Air Quality Monitoring
- HVAC
- Continuous Monitoring
- Area Monitoring
- Environmental Monitoring
- Smart Cities
- IoT

### Performance

Electrode Stack Colour	White
Minimum Detection Limit	1 ppb
Range	>40 ppm
T90 Response Time (S)	<12s
Sensitivity	>30 mV/ppm



### Power & Signal

Supply Voltage (using internal regulator)	3.6 - 18 V (non intrinsically safe 10 - 18 V)
Supply Voltage (using a regulated power supply)	3 - 3.6 V
Current	20 - 32 mA (130 for 100 ms at start up)
Power Consumption	100 mW at 3.3 V
Output Signal (using internal regulator)	0 - 3.2 V
Output Signal (using a regulated power supply)	0 to rail voltage - 0.1 V

### Environmental

Temperature Range	-40 to 65 °C
Relative Humidity Range	0 - 99% RH (non condensing)



## Lifetime & Warranty

Sensor Life	>5 years
Lamp Life	10,000 hours
Warranty	10.6 eV lamp and MiniPID 2 Body = 12 months

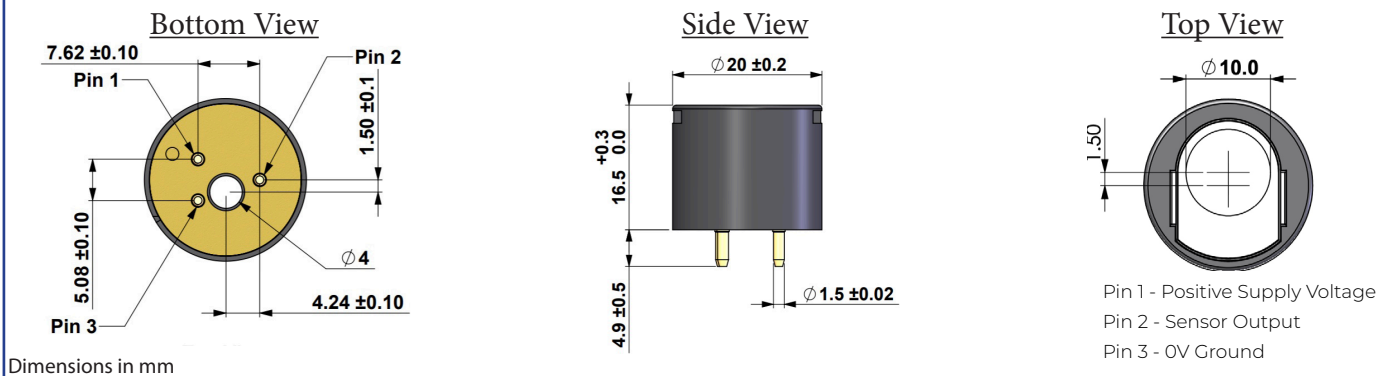
## Order Code                      Intrinsically Safe                      Supply Voltage

MP3SBLBXAU2	✓	3.0V to 3.2V
MP3SBLBXBU2	✓	3.2V to 3.6V
MP3SBLBXC2	✓	3.6V to 10.0V
MP3SBLBXNU2	✗	3.6V to 18.0V

## Patents & Certification

Patents	US 7.046.012 EC 1474681
Europe	ATEX II 1G Ex ia IIC Ga (-40 °C ≤ Ta ≤ +55 °C) @ 1.1W
Worldwide	IECEX II 1G Ex ia IIC Ga (-40 °C ≤ Ta ≤ +55 °C) @ 1.1W
North America	For Use in Class I, Division 1, Groups A, B C and D Hazardous Locations.
Eurasian Customs Union	N° EA3C RU C-GB.HA65.B.00635/20

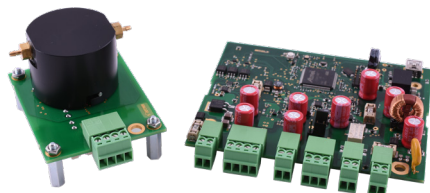
## Drawings



## Sensor Development Kit (SDK)

Sensor Development Kit is used as an efficient way to test and integrate the ION Science photoionisation detection sensors into any application.

SDK includes everything needed to run MiniPID 2 including an integration board, sensor board, gas delivery hood and a PC application.



## Other MiniPID 2 Sensors Available

ION Science is a leading manufacturer of VOC gas sensors, our PID sensor technology is trusted by major gas detection manufacturers globally. Other gas sensors from ION Science include:

- MiniPID 2 PPM
- MiniPID 2 PPB
- MiniPID 2 PPM WR
- MiniPID 2 PPB WR
- MiniPID 2 HS
- MiniPID 2 10.0 eV
- MiniPID 2 11.7 eV

